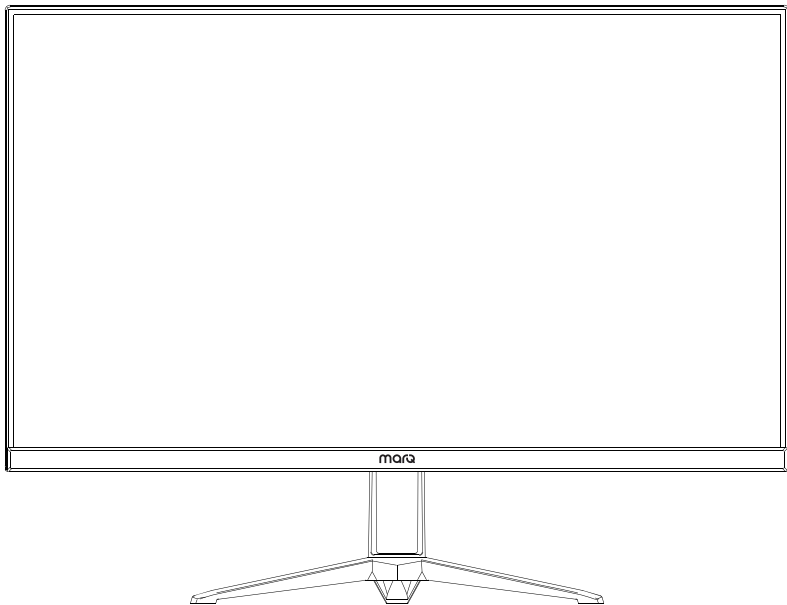


24" Monitor

Quad HD LED backlit IPS Panel



100 Hz Refresh Rate

Quad HD
2560*1440

HDR 10
Support

**Bezel-less
Design**

Flicker free

Adaptive sync



® The terms HDMI, HDMI High-Definition Multimedia Interface, HDMI Trade dress and the HDMI Logos are trademarks or registered trademarks of HDMI Licensing Administrator, Inc.

This product is RoHS Compliant

Disposal of used Electrical & Electronics Equipment



Packaging and electrical goods should be recycled appropriately , and not treated as household waste. Please dispose of this equipment at your applicable collection point for the recycling of electrical & electronic equipment waste. By ensuring the correct disposal of this product, you will help prevent potentially hazardous to the environment and to human health , which could otherwise caused by unsuitable waste handling of this product. The recycling of materials will help conserve natural resource. Please do not therefore dispose of your old electrical and electronic equipment with your household waste. For more detailed Information about recycling of this product , Please contact your local city Office, Your household waste service or the shop where you purchased the product.

Contents

WARNING / CAUTION	3
WARNING/CAUTION	3
Caution	3
Important Safety Instructions	4
Basic instruction	5
Equipment subassembly	5
Input voltage	5
Power indicator light	5
Keys Function	5
Connection	6
On Screen Display (OSD)	7
Menu options	7
Main menu	7
Troubleshooting	9
Basic Parameters	10

Warning/Caution



WARNING/CAUTION

RISK OF ELECTRIC SHOCK
DO NOT OPEN



TO REDUCE THE RISK OF ELECTRIC SHOCK DO NOT REMOVE COVER (OR BACK). NO USER SERVICEABLE PARTS INSIDE. REFER TO QUALIFIED SERVICE PERSONNEL.



The lightning flash with arrowhead symbol, within an equilateral triangle, is intended to alert the user to the presence of uninsulated “dangerous voltage” within the product’s enclosure that may be of sufficient magnitude to constitute a risk of electric shock to persons.



The exclamation point within an equilateral triangle is intended to alert the user to the presence of important operating and maintenance (servicing) instructions in the literature accompanying the appliance.

Caution

Changes or modification not expressly approved by the party responsible for compliance could void the user’s authority to operate the equipment.

Do not attempt to modify this product in any way without written authorization from the dealer. Unauthorized modification could void the user’s authority to operate this product.

To prevent fire or shock hazards, do not expose this product to rain or moisture.

Important Safety Instructions

1. Read these instructions.
2. Keep these instructions.
3. Heed all warnings.
4. Follow all instructions.
5. Do not use this product near water.
6. Clean only with a dry and soft cloth.
7. Do not block any ventilation openings.
Install in accordance with the manufacturer's instructions.
8. Do not install near any heat sources such as radiators, heat registers, stoves, or any other apparatus (including amplifiers) that produces heat.
9. Do not defeat the safety purpose of the polarized or grounding-type plug. A polarized plug has two blades with one wider than the other. A grounding type plug has two blades and a third grounding prong. The wide blade or the third prong are provided for your safety. If the provided plug does not fit into your outlet, consult an electrician for replacement of the obsolete outlet.
10. Protect the power cord from being walked on or pinched particularly at plugs, convenience receptacles, and the point where they exit from the apparatus.
11. Only use attachments/accessories specified by the manufacturer.
12. Use only with the cart, stand, tripod, bracket, or table specified by the manufacturer, or sold with the unit. When a cart is used, use caution when moving the cart/monitor combination to avoid injury from tip-over.

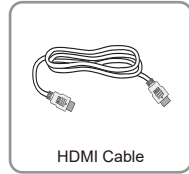
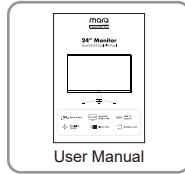
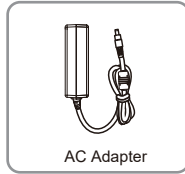
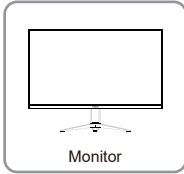


13. Unplug this product during lightning storms or when unused for long periods of time.
14. Refer all servicing to qualified service personnel. Servicing is required when the apparatus has been damaged in any way, such as power-supply cord or plug is damaged, liquid has been spilled or objects have fallen into the apparatus, the apparatus has been exposed to rain or moisture, does not operate normally, or has been dropped.
15. Do not expose this product to dripping or splashing and ensure that no objects filled with liquids, such as vases, are placed on the unit.

Basic instruction

Equipment subassembly

Please check your monitor equipment subassembly including the followings:



Input voltage

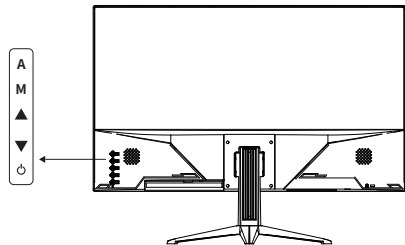
AC 100 - 240V ~ 50 / 60 Hz 1.2A
DC 12V --- 3A

Power indicator light

Indicator	Mode
No light	Power off
Blue light	Normal work statement
Red light	standby mode

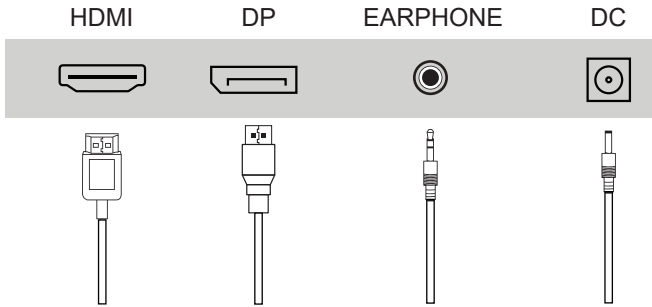
Keys Function

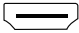
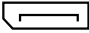


A	Auto/Exit key
M	Menu/select
▲	Right/Up shortcut key
▼	Left/Down shortcut key
⏻	Power on / Off



Connection

Connecting cables



	HDMI	connect to computer HDMI output jack (Option for monitor with HDMI function).
	DP	connect to computer DP signal output jack.
	EARPHONE	Insert the audio cord cable into the audio input jack of the montior.
	DC	Power interface DC 12V.

On Screen Display(OSD)


Menu Options

Main Menu:


1. Picture
2. Image Setup
3. Color Setup
4. OSD Setup
5. Reset
6. Input

Explanation of individual options:

1. Picture


Picture		Brightness	0-100
		Contrast	0-100
		Black Level	0-100
		ECO Mode	Standard
			Game
			Movie
			Internet
		DCR	Off/On
		HDR	Off
			On
Auto			

2. Image Setup


Image Setup		Saturation	0-100
		Low Blue Ray	0-100
		Sharpness	0-100
		Image Ratio	wide
			4:3

On Screen Display(OSD)


3. Color Setup

Color Setup		Color Temp.	Warm
			sRGB
			User
			Cool
			Normal
		Red	0-100
		Green	0-100
Blue	0-100		

4. OSD Setup


OSD Setup		Language	English
			Français
			Español
		
		H.Position	0-100
		V.Position	0-100
		Timeout	0-100
Transparence	0-100		

5. Reset

Reset		Mute	Off
			On
		Volume	0-100
		Reset	

On Screen Display(OSD)

6. Input

Input		Input Select	Auto
			DP
			HDMI
		Adaptive Sync	Off/On
			Off
		Overdrive	Weak
			Medium
Strong			

Troubleshooting

Issue	Possible Causes	Solutions
Unable to turn on	No power	<ul style="list-style-type: none"> • Make sure the power cord is plugged in properly. • Press the on/off button to turn on the monitor.
Image is dark	Brightness/ Contrast not adjusted properly	<ul style="list-style-type: none"> • Adjust the brightness and contrast.
Image is jittery or has ripples	Interference	<ul style="list-style-type: none"> • Keep the monitor away from electronic devices that may cause electrical interference.
The indicator is blinking, no image on the screen	No signal, entering sleep mode	<ul style="list-style-type: none"> • Turn on the computer. • Make sure the computer's graphics card is working properly. • Make sure the DisplayPort/HDMI/DVI cable is plugged in properly.
Monitor displays: Out of range	Resolution is incorrect	<ul style="list-style-type: none"> • Use the specified recommended resolution settings.

Basic Parameters

Size		24"
Model name		24QHDMIQCCYP
Interface		HDMI+DP +EARPHONE+DC
Panel Type		IPS
Display Features	Resolution	QHD 2560*1440
	Contrast	1300 (Typ.)
	Refresh Rate	100Hz
	Display Colors	16.7M
	Aspect Ratio	16:9
	Brightness	220cd/m2
	Viewing Angle	178H/178V
	Response Time	5ms
	Color Gamut	NTSC 85%
Product Measurement	Tilt	Forward 5° Backward 15°
	VESA Mounting	75x75mm
	With Stand(WxDxH)	540x136x412mm
	Without Stand(WxDxH)	540x39x321mm
	N.W/ G.W	About 2.4KG/3.6KG
Power Requirements	Input Voltage	100-240V AC 50/60HZ
	Standby Consumption	<0.5W
	Power ON Consumption	12V/3A 36W
Special Functions	Flicker Free	YES
	OD Quicken	YES
	Speakers Extend	2W*2
	Low BLue Light Mode	YES
	Adaptive Sync	YES
	HDR	YES

Warranty Terms & Conditions:

Flipkart India Private Limited ("Company") warrants the product to be free from manufacturing defects or any other specific defect as may be specified in the Specific Terms and Conditions below. The warranty is for a period mentioned in the Specific Terms and Conditions below, the invoice (if not specified in the Specific Terms and Conditions below), as well as the product listing page, and such period shall commence from the date of purchase of the product by the first end user. This is a non-transferable warranty, valid only in the territory of India and extended only to the first end user customer ("Customer") basis the following terms and conditions, which the Customer is deemed to have accepted upon purchase of the product:

- 1.The warranty period of the product is 1 year, commencing from the date of purchase, Warranty service which includes\ replacement or repairs, will be carried out through the Authorised Service Centers ("ASC/s") only.
- 2.Warranty will be valid only when the original purchase invoice is presented at the time of service. Company reserves the right to decline warranty service if the purchase invoice is not presented.
- 3.In case of commercial usage of the product, warranty period would be limited to 90 days only.
- 4.Warranty will cover only functional parts, issues having manufacturing defects and does not cover damages to the product resulting from unauthorised adaptations/ adjustments/ tampering/ repair, improper installation or placement, mishandling, improper use, deviation from the instructions set out in the user manual (if applicable) normal wear and tear caused due to use of the product.
- 5.Warranty does not cover any external accessories and fittings to the product.
- 6.All plastic, rubber, glass, or aesthetic parts and consumable replacements will be on a chargeable basis.
- 7.Warranty shall not apply to damages caused to the product by accident, voltage fluctuations, lightning, ingress of water (beyond certified limits, if any), fire or any other natural calamity, improper ventilation, dropping or excessive shock, or any external cause beyond Company's control.
- 8.Company shall retain all products or spare parts which are replaced and the ownership of the same shall vest with the Company.
- 9.Company is not liable to provide repair services or spare parts after the period of warranty expires and the same if provided will be on a chargeable basis.
- 10.Whilst the Company, through its ASC, shall make every effort to carry out the service at the earliest, it is expressly clarified that the Company is under no obligation to do so within a certain time period.
- 11.Whilst Company would take all necessary steps to repair the product under warranty and maintain sufficient stock of the spare parts of the products, in certain cases, at its sole discretion, Company may due to non-availability of spare parts of the product or product being in a state which is beyond economic repair, offer a replacement scheme to the Customer. The terms of such replacement offer is subject to change from year to year and shall also be applicable on the maximum retail price of the product.
- 12.Company at its sole discretion, may repair the products or replace the spare part or product with a comparable spare part or product that may be new or refurbished.
- 13.All transportation & handling expenses incurred while replacing or repairing will be payable by the Customer.

14. Warranty shall be void if:
 - i. The type or serial no. on the product has been altered, removed, or defaced.
 - ii. The product is not operated as per the instructions given in the User Guide, if any.
 - iii. The defects are caused by household pets, rats, cockroaches or any other animals or insects.
15. The warranty automatically expires after the period of time stated in the product invoice even if the product may not be in use for any time for whatever reasons.
16. This Warranty shall not affect Customer's statutory rights under any applicable law.
17. Customer agrees to indemnify and keep Company harmless against all damages, liabilities, costs, expenses, claims, suits and proceedings (including reasonable attorney's fee) that may be suffered by the Company as a consequence of:
 - i. violation of these terms and condition by the Customer;
 - ii. violation of applicable laws by the Customer;
 - iii. any action or inaction resulting in willful misconduct or negligence on the Customer's part.
18. In the event of repairs of any part (s) of the product, the Warranty will thereafter continue and remain in force only for the unexpired period of the Warranty. Moreover, the time taken for repair and in transit whether under the Warranty or otherwise shall not be excluded from the Warranty period.
19. This panel is made up of sub pixels which require sophisticated technology to produce. There may be, however, a few (upto 5) bright or dark pixels on the screen. These pixels will have no impact on the performance of the product.
20. Company takes no legal responsibility whatsoever for any interruption of app services caused by the service provider for any reason.
21. None of the employees, sellers, dealers or ASCs of the Company have the authority to vary these terms and conditions.
22. Customer agrees that the courts at Bangalore shall have the exclusive jurisdiction to settle any dispute that may arise in relation to this Warranty or these terms and conditions.
23. COMPANY SHALL NOT BE LIABLE FOR ANY INDIRECT, SPECIAL, PUNITIVE, EXEMPLARY, SPECULATIVE OR CONSEQUENTIAL DAMAGES, INCLUDING, BUT NOT LIMITED TO, ANY LOSS OF USE, BUSINESS INTERRUPTION, AND LOSS OF INCOME OR PROFITS, IRRESPECTIVE OF WHETHER IT HAD AN ADVANCE NOTICE OF THE POSSIBILITY OF ANY SUCH DAMAGES.
24. For any further information / assistance please contact our customer Redressal cell at:

Flipkart India Private Limited,

Buildings Alyssa, Begonia & Clove
Embassy Tech Village, Outer Ring Road,
Devarabeesanahalli Village Bangalore,
Karnataka -560103
India Tel. No.: 080-45471090; 080-69290890
Email: marq@flipkart.com

Information on Plastic Packaging as per Plastic Waste Management Rules, 2016 (As amended)

Company Name and Address : Flipkart India Private Limited and Buildings Alyssa, Begonia & Clove, Embassy Tech Village, Outer Ring Road, Devarabeesanahalli Village, Bengaluru – 560103, Karnataka, India

Company EPR Registration No : 20220704082266

Thickness: 51 microns

Plastic Type: LDPE

Recycled Plastic Content: 0%





Service Help Line

Tel. No. 080-45471090 / 080-69290890

Email : marq@flipkart.com